



HD PTZ Cameras AA-7110-FDR8/AA-7110-XDR8 10X Mini HD Analog All-In-One PTZ Camera



Superior Engineering Design & Sensational Image Quality

AA-7110-FDR8
AA-7110-XDR8

2MP 10X HD Analog 4 in 1 Mini IR PTZ Camera
5MP 10X HD Analog 4 in 1 Mini IR PTZ Camera



ANALOG
HIGH
DEFINITION



10X
OPTICAL
ZOOM



SMART IR
FUNCTION



CRUISE
CONTROL



DWDR



ANALOG
HIGH
DEFINITION



HORIZONTAL
& VERTICAL
ROTATION



RS485
CONTROL



AUTO FLIP



IP66
PROTECTION

Features :

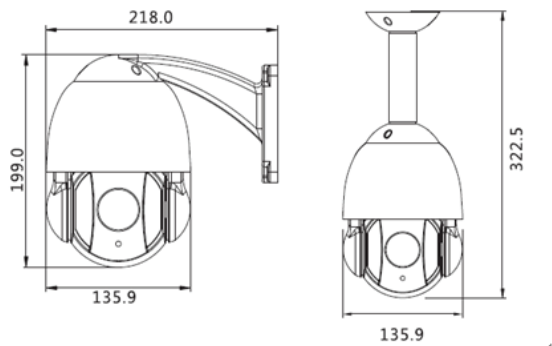
- 10X Optical Zooming Capacity
- HD selectable video out HD-AHD, TVI, CVI, or Analog
- Low illumination 0.05Lux @ Color, 0 Lux @ IR On
- 0° ~ 360° horizontal rotation, Panning Speed up to 0.6° ~ 180°
- 0° ~ 90° vertical rotation, Tilting Speed up to 3.5° ~ 30°
- 220 preset positions, 8 Cruise, 4 Pattern, 1 scan
- High Intensity 3rd Generation ExIR Array LED Night Vision up to 80M
- True Day Night(TDN) by HD Mech.IR Cut Filter for all 24/7 Surveillance mode
- Smart IR Function Work when Object/Person is close to Camera it Control IR to get Clear Picture
- Adjustable and Differentials IR LED for WIDE and Tele Angle Distance
- Various Day/Night Option Auto, color, B&W and External Trigger
- Long distance video transmission over Co-AX cable up to 300M without delayed
- Very easy remotely OSD Menu Control by Co-Ax protocol
- Auto DNR, Auto Day/Night, Auto White Balance
- Back Light Compensation, Power Up Action
- Indoor/Outdoor IP66 Protection Mini Enclosure

Technical Specifications

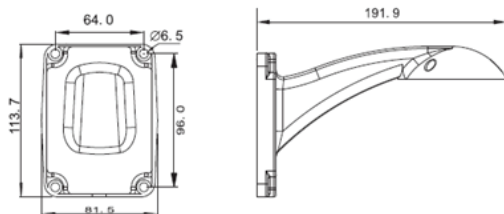
Model No	AA-7110-FDR8	AA-7110-XDR8
Camera Specification		
Signal system	Default PAL(NTSC Selectable)	
Sensor types	1/2.8" Progressive scan CMOS sensor	
Effective pixels	1920 (H) × 1080P (V)	2560 (H) × 1944 (V)
S/N ratio	More than 50dB(AGC Off)	
Optical zoom	10X	
Focal length	F= 5.0 ~ 50mm	
Angular field of view	51.9°(Wide)-5.66°(Tele)	
Zoom movement speed	2.8s from Wide to Tele	
Zoom control	Optical Zoom Wide & Tele	
Focus & IRIS control	Auto Focus, Auto IRIS	
Lux level(illumination)	0.05Lux @ Color, 0.005Lux @ B/W, 0Lux @ IR On, F1.2	
Shutter speed control	AUTO(1/25/30s - 1/10,000s)	
Gamma	Default 0.45, adjustable	
Synchronous system	Internal	
Video output	Default AHD(TVI/CVI selectable)	
OSD menu control	Yes, by Co-AX/Cable OSD	
IR distance	up to 80 Meter	
TDN	Mechanical IR Cut Filter(ICR)	
Smart IR	Yes	
OSD Function		
WDR	D-WDR	
Day/night	Auto/Color/B&W/Ext	
Digital noise reduction	Yes	
Gain control	Yes	
White balance	ATW, AWB, MWB	
Light compensation	BLC	
Image control	Sharpness/Contrast/Color gain/Brightness	
Pan/Tilt/Alarm		
Preset	220 Positions	
Preset position setting	PTZ parameters and camera parameters (zoom/focus length)	
Cruise function	8 Cruise, 4 Patterns, 1 Scan LR	
Guard function	Support (Preset Pattern, scanning Gap, scanning, Cruise scanning, 360° scanning, Left and Right scanning RTC)	
Pan range	0° ~ 360°continuous rotation	
Pan speed	Manual 0.6° ~ 180°	
Tilt range	0° ~ 90°, auto flip	
Tilt speed	Manual 3.5° ~ 30°/s	
Preset precision	0.05°	
Power off memroy function	YES	
Communication protocol	RS485, Pelco-D / Pelco-P, 1 ~ 64	
Display info	Time, Location, Title, Cordinate, etc.	

Technical Specifications

Model No	AA-7110-FDR8	AA-7110-XDR8
General		
Power	DC12V(Adaptor Optional) & 10W @ Normal, <22W @ IR ON	
Lighting protection	3000V Thunder proof	
IP protection	IP66	
Fan & heater	Optional	
Operation conditions	-15 °C ~ +60 °C, 0% ~ 90% RH	
Enclosure	White Color, Aluminum	
Dimension & weight	Ø136(D) x 200(H)mm, <3.5Kg with Box	
Mounting bracket	Wall, Pendant, Pole mount(Default with Wall mount)	



Wall bracket



Ceiling bracket

